

# TREATMENT PERFORMANCE RESULTS

**Premier Tech Aqua Ltd.**  
Quatertown Industrial Estate, Mallow, Co. Cork, Ireland

**EN 12566-3**  
Results corresponding to EN 12566-3 and S.R. 66  
PIA-SR66-1604-1054

**ASP**  
Activated sludge

|  |                            |                    |
|--|----------------------------|--------------------|
| Nominal organic daily load               | 0.37 kg/d                  |                    |
| Nominal hydraulic daily load             | 1.20 m <sup>3</sup> /d     |                    |
| Material                                 | Glass reinforced plastic   |                    |
| Watertightness                           | Pass                       |                    |
| Structural behaviour (Pit Test)          | Pass (also wet conditions) |                    |
| Durability                               | Pass                       |                    |
| Treatment efficiency (nominal sequences) | Efficiency                 | Effluent           |
|  | COD                        | 92.8 %    50 mg/l  |
|  | BOD <sub>5</sub>           | 97.1 %    8 mg/l   |
|  | NH <sub>4</sub> -N         | 74.6 %    7.7 mg/l |
|  | SS                         | 96.7 %    12 mg/l  |
| Number of desludging                     | Not more than once         |                    |
| Electrical consumption                   | 2.6 kWh/d                  |                    |

Performance tested by:

**PIA – Prüfinstitut für Abwassertechnik GmbH**  
(PIA GmbH)  
Hergenrather Weg 30  
52074 Aachen, Germany

This document replaces neither the declaration of performance nor the CE marking.



Notified Body  
No.: 1739



Certified according to  
ISO 9001:2008



Prüfinstitut für Abwassertechnik GmbH

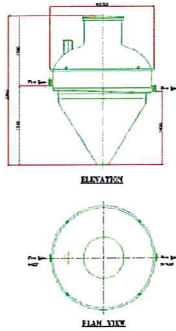
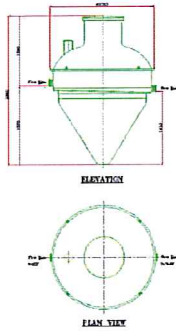


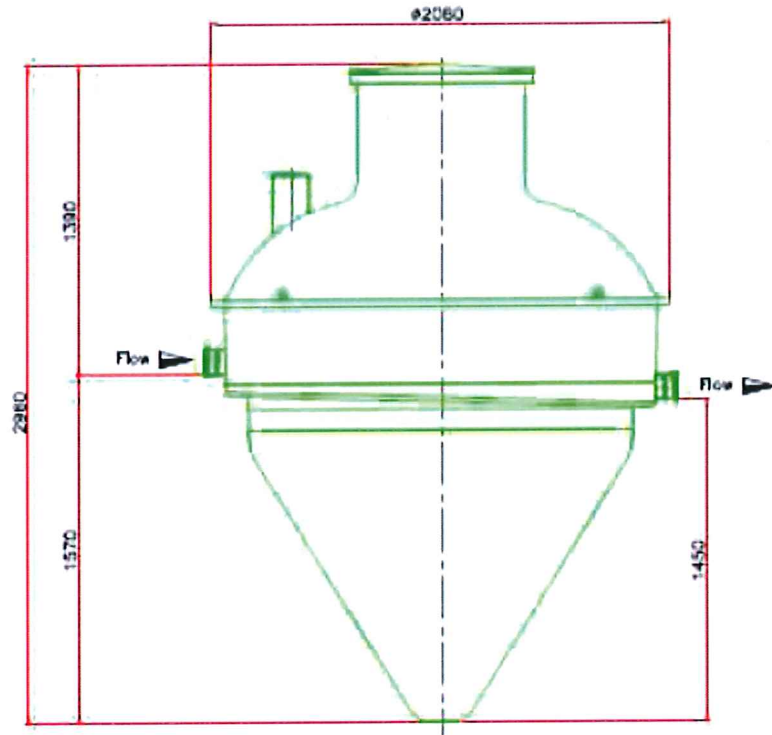
geprüft - tested - testé

Elmar Lancé

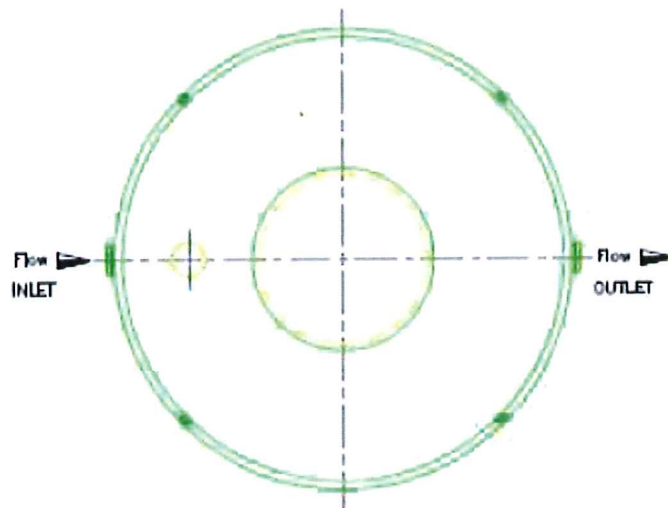
July 2016

ASP range and its referring test reports:

| Population equivalent (PE)   | Drawing of model of the range  | Watertightness (EN 12566-3 Annex A)            | Treatment Efficiency (EN 12566-3 Annex B)                     | Structural Behaviour (EN 12566-3 Annex C)  | Durability                                  |
|------------------------------|--|--|---|--|---|
| 6                            |   | <p>Pass</p> <p>PIA2008-WD-AT0805-1025.b.02</p> | <p>Pass</p> <p>PIA2008-086B25.02</p>                          | <p>Pass</p> <p>For wet ground conditions also, 0.74 m installation depth from inlet invert</p>                                 | <p>Pass</p> <p>PIA2011-ST-PIT-1012-1076</p> |
| Initial Type Test (ITT)<br>8 |  | <p>Pass</p> <p>PIA2008-WD-AT0805-1025.b.02</p> | <p>Pass</p> <p>Range conformity according to S.R. 66:2015</p> | <p>Pass</p> <p>PIA2011-ST-PIT-1012-1076</p> <p>For wet ground conditions also, 0.74 m installation depth from inlet invert</p> | <p>Pass</p> <p>PIA2011-ST-PIT-1012-1076</p> |



**ELEVATION**



**PLAN VIEW**