

TREATMENT PERFORMANCE RESULTS

Premier Tech Aqua Ltd.
Quatertown Industrial Estate, Mallow, Co. Cork, Ireland

EN 12566-3
Results corresponding to EN 12566-3 and S.R. 66
PIA-SR66-1604-1054

ASP
Activated sludge

Nominal organic daily load	0.37 kg/d		
Nominal hydraulic daily load	1.20 m ³ /d		
Material	Glass reinforced plastic		
Watertightness	Pass		
Structural behaviour (Pit Test)	Pass (also wet conditions)		
Durability	Pass		
Treatment efficiency (nominal sequences)		Efficiency	Effluent
		COD	92.8 % 50 mg/l
		BOD ₅	97.1 % 8 mg/l
		NH ₄ -N	74.6 % 7.7 mg/l
		SS	96.7 % 12 mg/l
Number of desludging	Not more than once		
Electrical consumption	2.6 kWh/d		

Performance tested by:

PIA – Prüfinstitut für Abwassertechnik GmbH
(PIA GmbH)
Hergenrather Weg 30
52074 Aachen, Germany

This document replaces neither the declaration of performance nor the CE marking.



Notified Body
No.: 1739



Certified according to
ISO 9001:2008



Prüfinstitut für Abwassertechnik GmbH

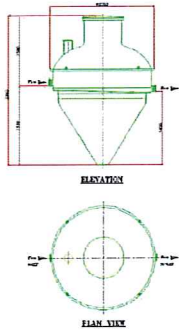
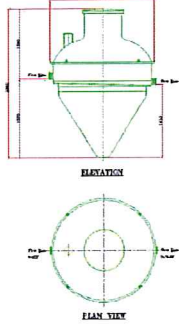


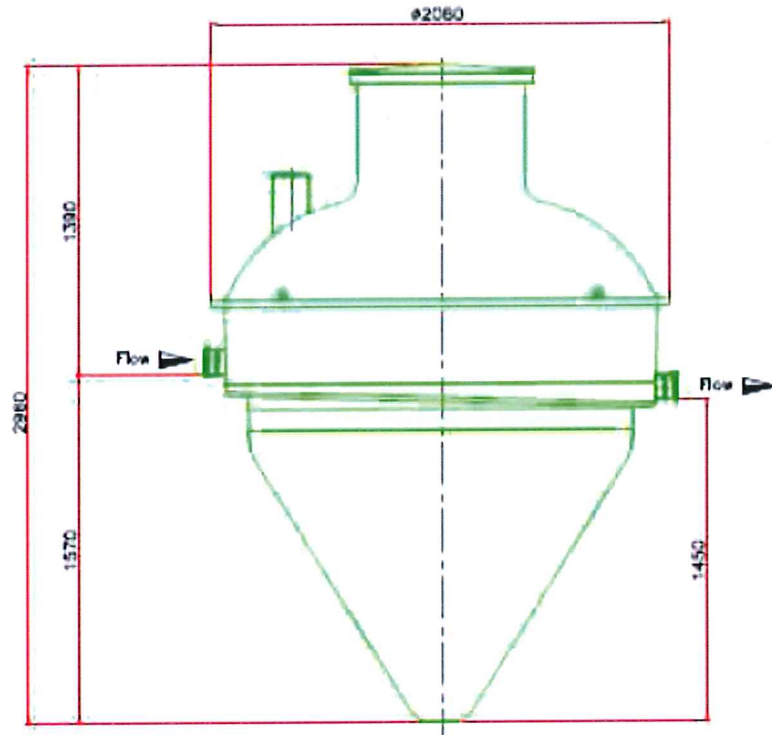
geprüft - tested - testé

Elmar Lancé

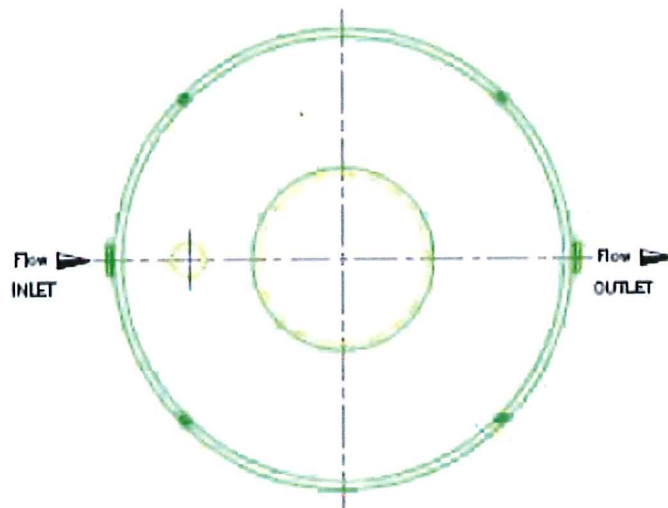
July 2016

ASP range and its referring test reports:

Population equivalent (PE)	Drawing of model of the range	Watertightness (EN 12566-3 Annex A)	Treatment Efficiency (EN 12566-3 Annex B)	Structural Behaviour (EN 12566-3 Annex C)	Durability
6		<p>Pass</p> <p>PIA2008-WD-AT0805-1025.b.02</p>	<p>Pass</p> <p>PIA2008-086B25.02</p>	<p>Pass</p> <p>For wet ground conditions also, 0.74 m installation depth from inlet invert</p>	<p>Pass</p> <p>PIA2011-ST-PIT-1012-1076</p>
Initial Type Test (ITT) 8		<p>Pass</p> <p>PIA2008-WD-AT0805-1025.b.02</p>	<p>Pass</p> <p>Range conformity according to S.R. 66:2015</p>	<p>Pass</p> <p>PIA2011-ST-PIT-1012-1076</p> <p>For wet ground conditions also, 0.74 m installation depth from inlet invert</p>	<p>Pass</p> <p>PIA2011-ST-PIT-1012-1076</p>



ELEVATION



PLAN VIEW